



CHD-3D

Dicer/Strip-Cutter



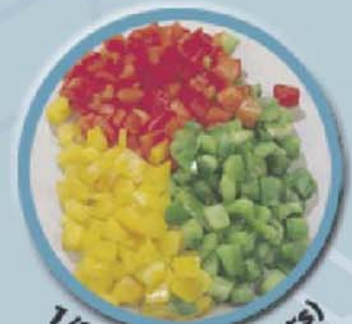
- ▶ High-capacity up to 9,000 lbs/hour on 1/8" dice and more for larger cuts
- ▶ Rugged, heavy-duty dicer/strip-cutter with a large product drum
- ▶ Capable of handling big blocks of cheese, meat or vegetables in square, rectangular or cylindrical form up to 10" X 9" X 6"
- ▶ Dice, strip, or julienne cooked, tempered, chilled or frozen product at temperatures up to 15°F
- ▶ Up to 20hp variable speed motor
- ▶ Hinged swivel components for quick and easy sanitation and maintenance

TYPE OF CUTS:

First cut: Slices thickness adjustable from 1/16" to 3/4" or 1.5mm up to 19mm

Second cut: Strips (with circular knives): 3/32" to 1 1/2" or 2.4mm up to 38.1mm

Third cut: Dices (with crosscut knives): 1/8" to 1 1/2" or 3.2mm up to 38.1mm



1/8" dice (peppers)



1/8" dice (meat)

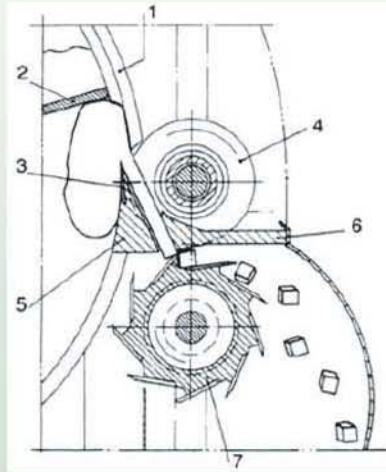


full shred (cheddar)

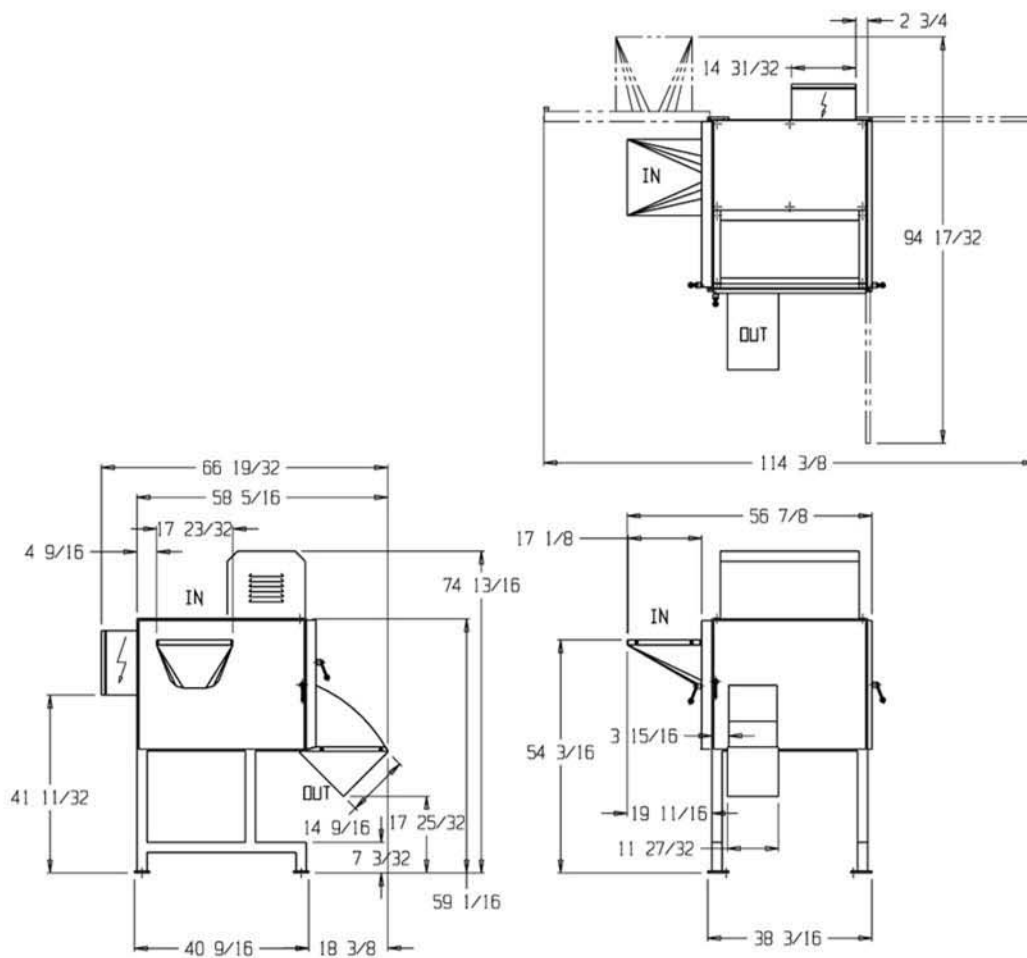


3/4" dice (mozzarella)

CHD-3D TECHNICAL SPECIFICATIONS



1. slicing gate
2. impeller
3. slicing knife
4. circular knife spindle
5. slicing knife holder
6. shear plate
7. crosscut knife spindle



Length: 1405mm (55,31")
 Width: 1500mm (59,06")
 Height: 1900mm (74,80")

Net weight: 500kg (1100lbs)
 Motor: 11kW (15HP) or 15kW (20HP)
 Capacity: 4090kg/hour (9000 lbs/hour)