

- ▶ High-capacity up to 10,500 lbs/hour on 1/8" dice and more for larger cuts
- ▶ Rugged, heavy-duty dicer/strip-cutter with a large product drum
- ▶ Capable of handling big blocks of cheese, meat or vegetables in square, rectangular or cylindrical form up to 10" X 9" X 6"
- ▶ Dice, strip, or julienne cooked, tempered, chilled or frozen product at temperatures up to 15°F
- ▶ No bolts or nuts in the product drum
- ▶ Up to 20hp variable speed motor
- ▶ Hinged swivel components for quick and easy sanitation and maintenance

**TYPE OF CUTS:**

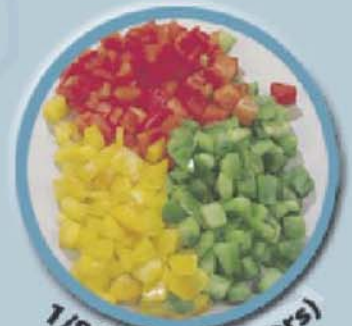
*First cut: Slices thickness adjustable from 1/16" to 3/4" or 1.5mm up to 19mm*

*Second cut: Strips (with circular knives): 3/32" to 1 1/2" or 2.4mm up to 38.1mm*

*Third cut: Dices (with crosscut knives): 1/8" to 1 1/2" or 3.2mm up to 38.1mm*



1/8" dice (meat)



1/8" dice (peppers)

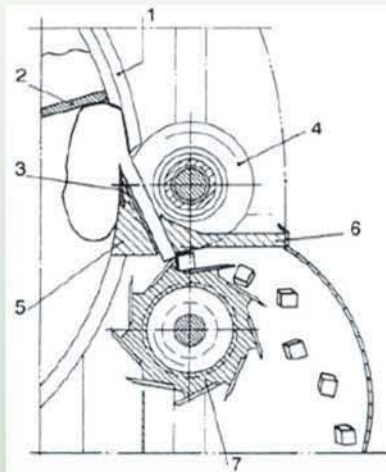


1/8" julienne (cheddar)

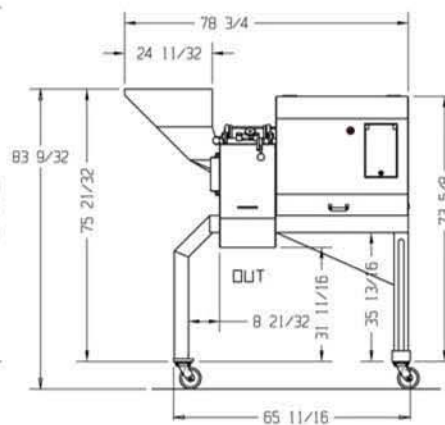
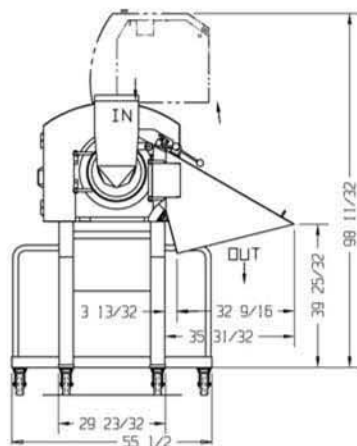
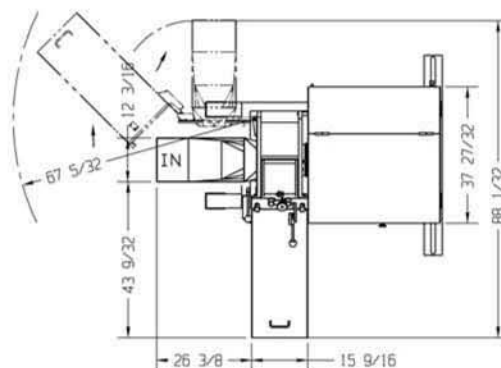


3/4" dice (mozzarella)

# CMD-3D TECHNICAL SPECIFICATIONS



1. slicing gate
2. impeller
3. slicing knife
4. circular knife spindle
5. slicing knife holder
6. shear plate
7. crosscut knife spindle



Length: 1945mm (76,57")  
 Width: 1445mm (56,89")  
 Height: 1920mm (75,59")

Net weight: 860kg (1892lbs)  
 Motor: 11kW (15HP) or 15kW (20HP)  
 Capacity: 4760kg/hour (10,500 lbs/hour)