

# Tumble drums

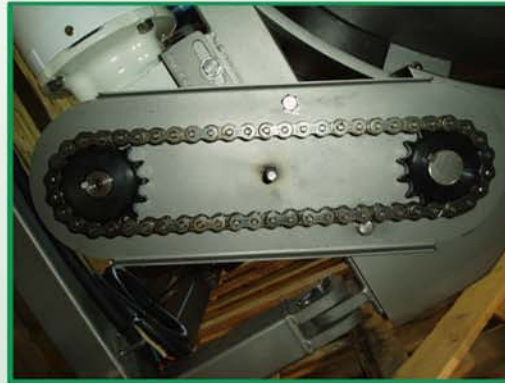


- ▶ Efficient ingredient blending
- ▶ Simple cost effective design
- ▶ Minimizes product build up
- ▶ Easy sanitation
- ▶ Infinite pitch control



# CONVEYOR TECHNICAL SPECIFICATIONS

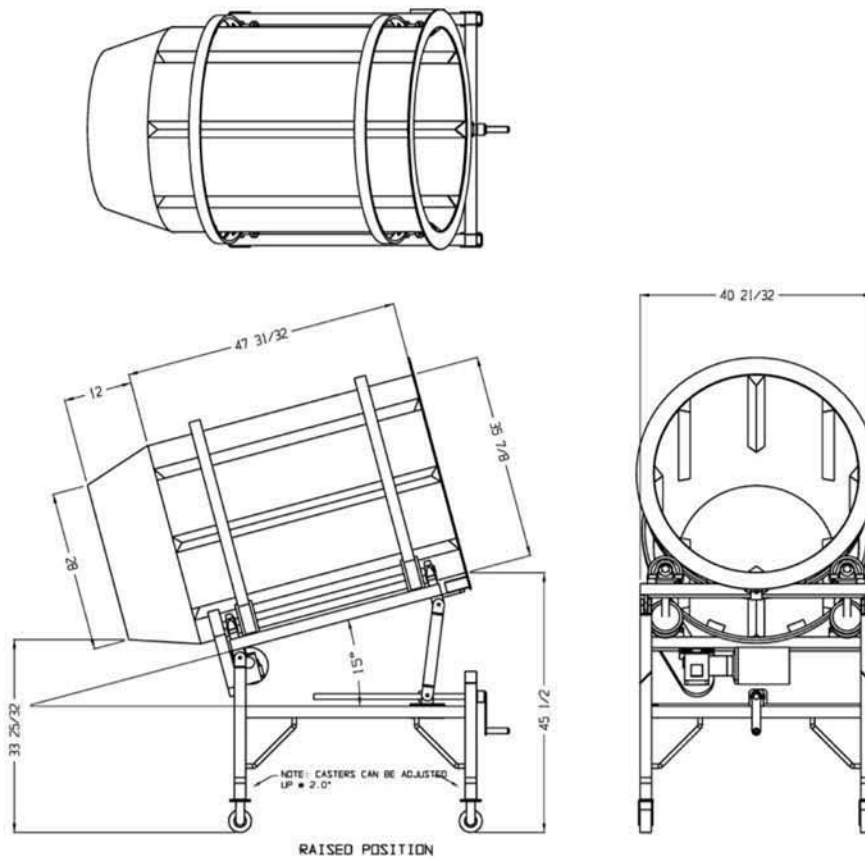
(DRAWING AND SPECS SHOWN ARE TYPICAL BUT ARE SUBJECT TO CHANGE)



CHAIN DRIVE



WASHDOWN MOTOR AND GEARBOX



CERTAIN MEASUREMENTS CAN BE MODIFIED TO SUIT YOUR SPECIFIC NEEDS