

# FS40 (Manual)

## Shredder/Grater/Crumbler



DEVILLE  
TECHNOLOGIES



- ▶ High-capacity up to 14,000 pounds or more per hour.
- ▶ Roller conveyor allows for simple loading into chamber.
- ▶ No pre-cubing of blocks required, maximizing productivity and minimizing labor.
- ▶ Inexpensive and re-usable cutting discs.
- ▶ USDA and WDATCP accepted.
- ▶ 15 or 20 hp motor with variable speed available.
- ▶ All components are quick-release for fast set-up or dismantle and easy sanitation and maintenance.
- ▶ PLC controlled and interface capable with upstream and downstream processes.
- ▶ Crafted with state-of-the-art patented technology.

### **TYPE OF CUTS:**

Produces precise cuts in sizes ranging from 5/64" to 1" including:  
feather cuts, flakes, crumbles, "v" cuts, grates and custom specialty cuts as required.



feather cut (cheddar)



flake (parmesan)



crumble (feta)



v-cut (swiss)

514.366.4545

[www.cheeseshredder.com](http://www.cheeseshredder.com)

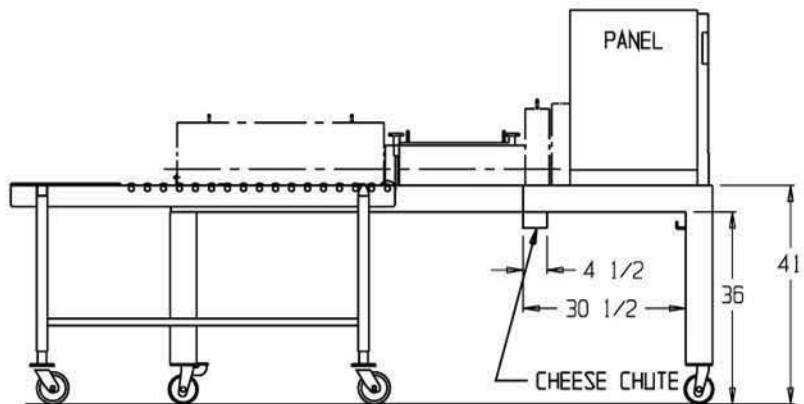
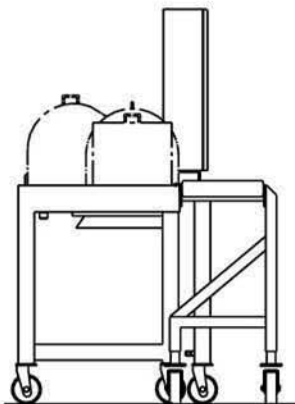
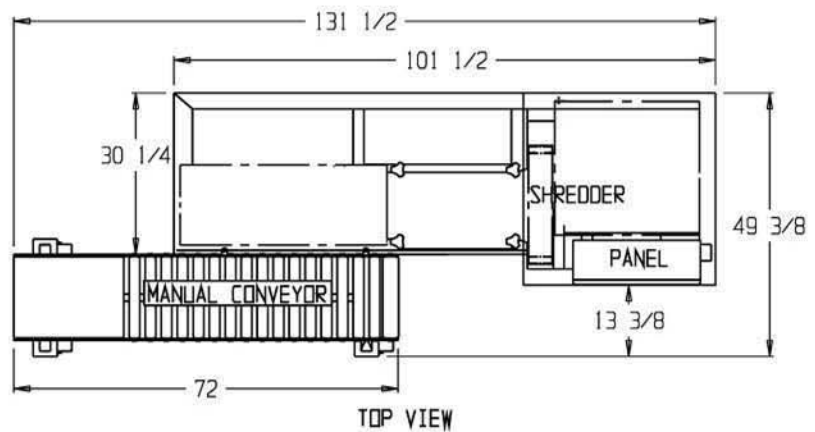
# FS-40 (MANUAL) TECHNICAL SPECIFICATIONS



**Removable precut blades to adjust length**



**Quick and easy shred disc changeover**



Length: 3340mm (131 1/2")  
Width: 1254mm (49 3/8")  
Height: 1880mm (74")

Net weight: 952kg (2100lbs)  
Motor: 11kW (15HP) or 15kW (20HP)  
Capacity: 6350kg/hour (14000 lbs/hour)